



Vegetable Slicer
Prep4You vegetable slicer,1 speed,
2 discs included,1000w, nema 5-15p

ITEM # _____
 MODEL # _____
 NAME # _____
 SIS # _____
 AIA # _____



602250 (DVGSUS)

Vegetable Slicer, single speed (1800 rpm) with 2 discs included (slicer 5/32", grater 5/64"), NEMA 5-15P plug

Short Form Specification

Item No. _____

Vegetable slicer ensures consistent cutting results thanks to the design patented lever-pusher. Constructed in a sturdy plastic material. 1.25 liters transparent half-moon hopper. Vegetables can be fed directly into the half moon hopper, a pusher presses the vegetables against the cutting discs ensuring an even cut in minimal time. 2 small hoppers for precise cuts on long vegetables dia. 55mm or 25mm. Ideal for grating, slicing/wavy slice, julienne and dicing. 2 discs included: slicer 4mm (5/32") and grater 2mm (5/64"). A safety micro switch stops the blade when the feed hopper is opened. No-volt release system prevents accidental start of the appliance. All parts in contact with food are removable and Dishwasher safe. Single speed 1800 rpm with on/pulse/off function for simple operations. NEMA 5-15P plug

Main Features

- Vegetable slicer unit has slicing, grating, shredding (julienne) as well as dicing and french fries capabilities.
- Continuous feed model.
- Equipped with half moon hopper (1.32 qt capacity) and 2 small round feed chutes: 1" (25mm) and or 2 11/64" (55mm), for precise slicing of long shaped vegetables.
- Uniform cuts and maximized load capacity, thanks to the design patented lever-pusher.
- Large output chute for efficient ejection. Fits up to 7 3/4" high standard kitchen containers (like GN) under the output chute.
- Pulse function for quick and precise slicing and grating.
- Vegetable slicer blade stops when lever pusher is lifted for operator safety.
- Optional discs available of various sizes for slicing, grating and shredding.
- All parts in contact with food are removable without the use of tools, completely dismountable and dishwasher safe.
- Easy to clean and watertight control panel with on/off button and pulse function.
- Productivity up to 100 settings per service.
- ErgoCert 4-star certification for ergonomic design and ease of use.
- Model includes 2 discs: 5/64" (2mm) grater, 5/32" (4mm) slicer.

Construction

- compact design, easy to move and store.
- IPX5 (IP55) flat panel touch-control, watertight panel.
- Main switch ON/OFF on the back of the appliance.
- Asynchronous industrial motor with no brushes for high reliability and quiet functioning, stainless steel motor shaft.
- Food safety assured thanks to BPA-free materials and compliance with NSF standards.
- Product safety in accordance with international and UL standards.
- 1 speed: 1800 rpm.
- Motor power: 1 HP / 750 Watt.

Included Accessories

- 1 of Stainless steel grating disc 2 mm (dia. 175mm) PNC 650198
- 1 of Ejector for Vegetable Slicer PNC 650232
- 1 of Stainless steel slicing disc 4 mm (dia. 175mm) PNC 650237

Optional Accessories

APPROVAL: _____

Prep4You vegetable slicer,1 speed, 2 discs included,1000w, nema 5-15p
Vegetable Slicer



Vegetable Slicer

Prep4You vegetable slicer,1 speed, 2 discs included,1000w, nema 5-15p

- | | | | | | |
|--|------------|--------------------------|---|------------|--------------------------|
| • Cleaning tool for TRS, TRK & TR210 3/16-5/16-3/8 in (5-8-10 mm) dicing grids | PNC 650110 | <input type="checkbox"/> | • Set of 5 discs, diam. 175 mm (1mm and 6mm slicer, 7mm grater, 2mm julienne/shredder, 4mm julienne/shredder) | PNC 653868 | <input type="checkbox"/> |
| • 3 DISCS SET TRK1 (5/64" SLICER, 3/16" SLICER, 1/8" GRATER) | PNC 650196 | <input type="checkbox"/> | | | |
| • 6 DISCS SET (5/64" SLICING, 3/16" SLICING, 1/8" GRATING, 9/32" GRATING, 3/8" SLICER, 3/8"x3/8" GRID) | PNC 650197 | <input type="checkbox"/> | | | |
| • Stainless steel grating disc 2 mm (dia. 175mm) | PNC 650198 | <input type="checkbox"/> | | | |
| • Stainless steel grating disc 3 mm (dia. 175mm) | PNC 650199 | <input type="checkbox"/> | | | |
| • STAINLESS STEEL GRATING DISC 5/32" (4 MM) | PNC 650205 | <input type="checkbox"/> | | | |
| • Stainless steel grating disc 7 mm (dia. 175mm) | PNC 650207 | <input type="checkbox"/> | | | |
| • PARMESAN DISC | PNC 650208 | <input type="checkbox"/> | | | |
| • Stainless steel shredding disc 2 mm (dia. 175mm) | PNC 650209 | <input type="checkbox"/> | | | |
| • Stainless steel shredding disc 4 mm (dia. 175mm) | PNC 650210 | <input type="checkbox"/> | | | |
| • STAINLESS STEEL JULIENNE DISC 5/16" (8 MM) FOR FRENCH FRIES | PNC 650211 | <input type="checkbox"/> | | | |
| • Stainless steel slicing disc 1 mm (dia. 175mm) | PNC 650213 | <input type="checkbox"/> | | | |
| • Stainless steel slicing disc 2 mm (dia. 175mm) | PNC 650214 | <input type="checkbox"/> | | | |
| • STAINLESS STEEL SLICING DISC 1/8" (3 MM) | PNC 650215 | <input type="checkbox"/> | | | |
| • Stainless steel slicing disc 5 mm (dia. 175mm) | PNC 650216 | <input type="checkbox"/> | | | |
| • Stainless steel slicing disc 6 mm (dia. 175mm) | PNC 650217 | <input type="checkbox"/> | | | |
| • STAINLESS STEEL WAVY SLICING DISC 1/8" (3 MM) | PNC 650218 | <input type="checkbox"/> | | | |
| • STAINLESS STEEL WAVY SLICING DISC 3/16" (5 MM) | PNC 650219 | <input type="checkbox"/> | | | |
| • Aluminum slicing disc 8 mm (dia. 175mm) | PNC 650220 | <input type="checkbox"/> | | | |
| • Aluminum slicing disc 10 mm (dia. 175mm) | PNC 650221 | <input type="checkbox"/> | | | |
| • Dicing grid 8x8 (dia 175mm) | PNC 650222 | <input type="checkbox"/> | | | |
| • Dicing grid 10x10 (dia 175mm) | PNC 650223 | <input type="checkbox"/> | | | |
| • DICING KIT 5/16" - ALUMINUM SLICER 5/16", GRID 5/16"x5/16" (8X8MM) | PNC 650224 | <input type="checkbox"/> | | | |
| • DICING KIT 3/8" - ALUMINUM SLICER 3/8", GRID 3/8"x3/8" (10X10 MM) | PNC 650225 | <input type="checkbox"/> | | | |
| • Ejector for Vegetable Slicer | PNC 650232 | <input type="checkbox"/> | | | |
| • Stainless steel slicing disc 4 mm (dia. 175mm) | PNC 650237 | <input type="checkbox"/> | | | |
| • Support for 1 disc, diam. 175mm and 205mm | PNC 653632 | <input type="checkbox"/> | | | |
| • Set of 3 discs, diam. 175 mm (1mm slicer, 4mm julienne/shredder, 7mm grater) | PNC 653867 | <input type="checkbox"/> | | | |

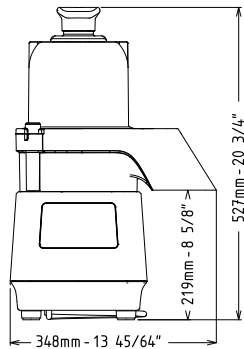




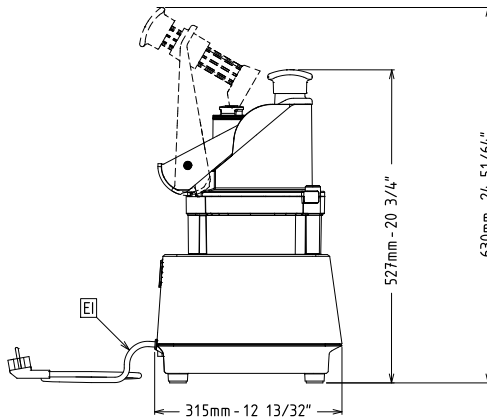
Vegetable Slicer

Prep4You vegetable slicer, 1 speed, 2 discs included, 1000w, nema 5-15p

Front

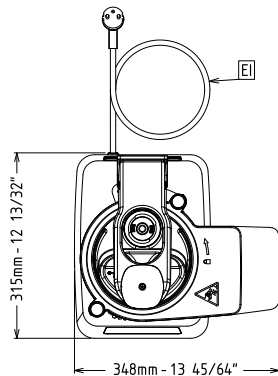


Side



EI = Electrical connection

Top



Electric

| | |
|-------------------------------|-------------------|
| Supply voltage: | 115 V/1N ph/60 Hz |
| Electrical power, max: | 1 kW |
| Total Watts: | 1 kW |

Capacity:

| | |
|-----------------------------|-----------------|
| Performance (up to) | 330,6 lbs/cycle |
| Performance (up to): | 150 kg/hour |

Key Information:

| | |
|-------------------------------------|--------------------|
| External dimensions, Width: | 13 11/16" (348 mm) |
| External dimensions, Depth: | 12 3/8" (315 mm) |
| External dimensions, Height: | 20 3/4" (527 mm) |
| Shipping width: | 16 9/16" (420 mm) |



Vegetable Slicer
Prep4You vegetable slicer, 1 speed, 2 discs included, 1000w, nema 5-15p
The company reserves the right to make modifications to the products without prior notice. All information correct at time of printing.